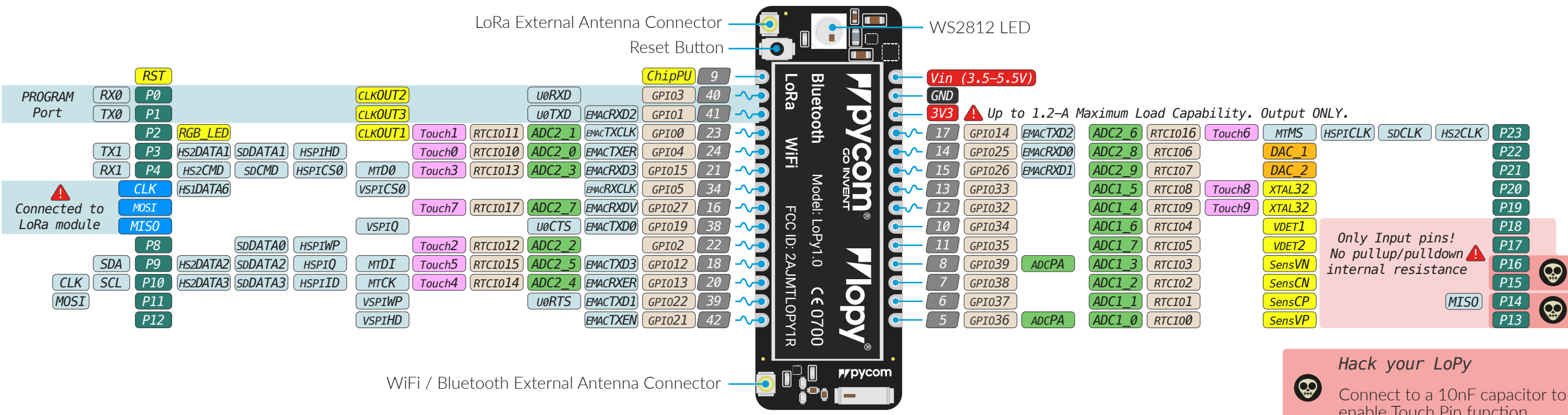


⚠ Absolute MAX per pin 12mA recommended 6mA



Only Input pins!
No pullup/pulldown internal resistance

Hack your LoPy
Connect to a 10nF capacitor to enable Touch Pin function

- Power
- GND
- Serial Pin
- Analog Pin
- Control
- Physical Pin
- Port Pin
- Touch Pin
- DAC Pin
- PWM Pin

Low Level Bootloader

P2 + GND

Boot modes and safe boot

P12 + 3V3

- 1-3 sec Safe boot, latest firmware is selected
- 4-6 sec Safe boot, previous user update selected
- 7-9 sec Safe boot, the factory firmware is selected

Internal Functions

35	GPI018	VSPICLK	HS1DATA7	LoRa Reset
25	GPI016	EMACCLKOUT	HS1DATA4	External Antenna Switch
36	GPI023	VSPID	HS1STROBE	LoRa Interrupt
27	GPI017	EMACCO180	U2TXD	LoRa Select